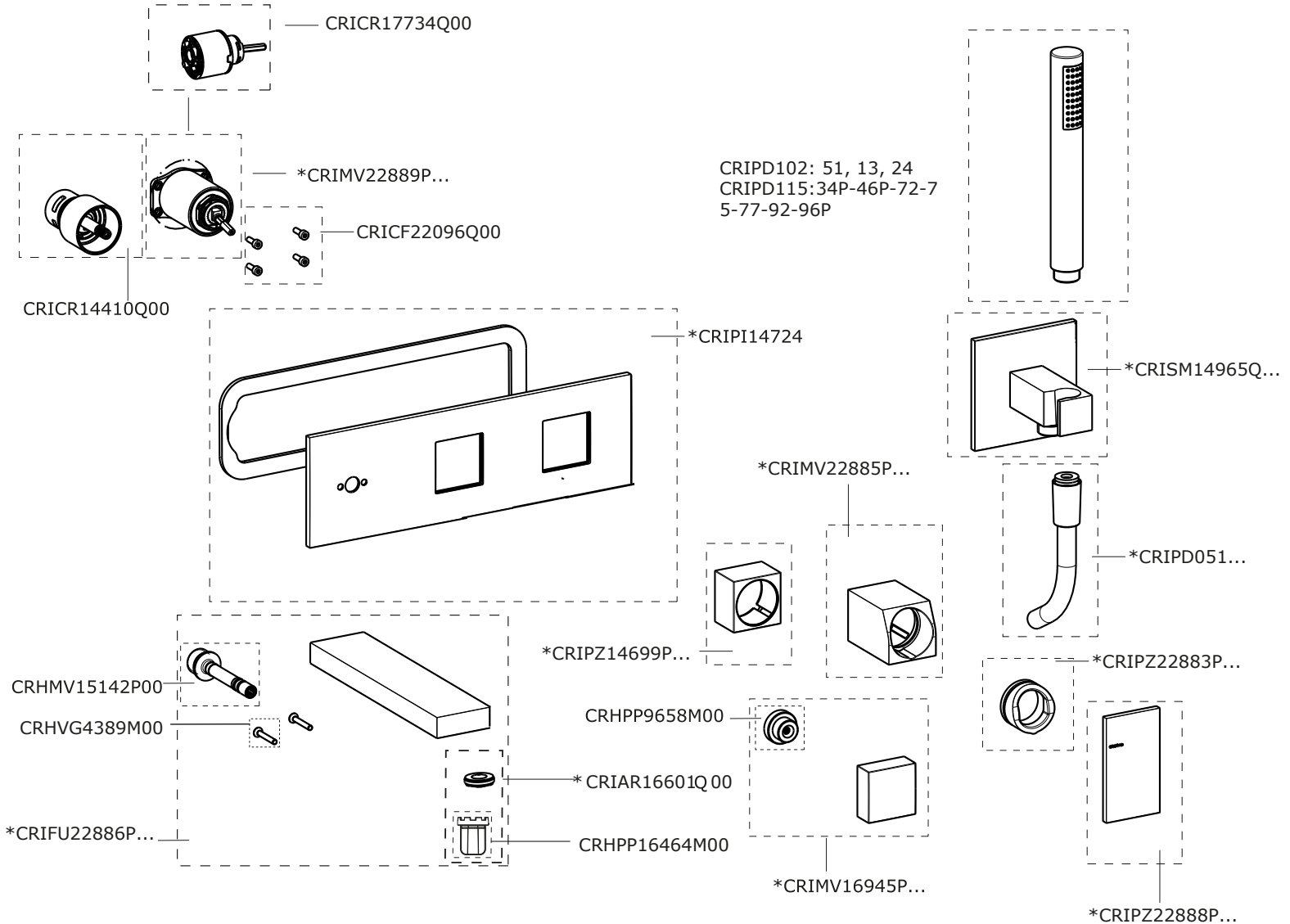


# TABULA

CRITA103

SCHEDA RICAMBI | SPARE PARTS

SHEET rev.01\_12/2024



## NOTE | NOTES

\*completare con codice finitura | complete with finishing code

\*CRIAC637... prolunga | extension 30 mm

① \*CRIPD102 for 51-13-24 | CRIPD115 for all finishings